

M23 SERVO CABLE

specification: 6FX5002-5DA11-1BA0

Power cable with brake wires for SINAMICS S120 and motors with M23 connection and holding brake

Female straight – pre-wired terminals

M23, 6-pole

shielded

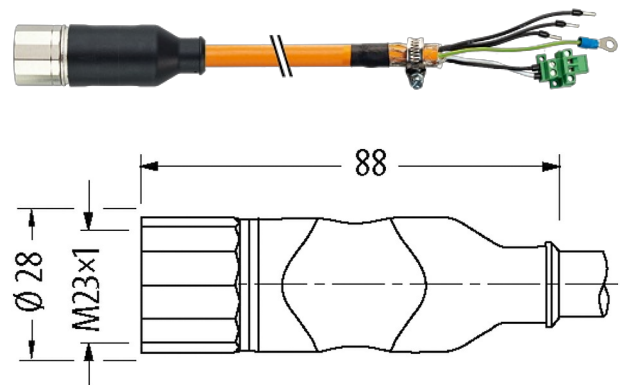
Further cable lengths on request.

Plastic housings with good resistance against chemicals and oils.

The resistance to aggressive media should be individually tested for your application. Further details on request.

Link to Product

Illustration



Product may differ from Image

Form

Form PS201

General data

Pollution Degree 3
Temperature range -25...+85 °C, depending on cable quality

Cables

Cable number	863
No./diameter of wires	(4G2.5 + (2× 1.5)C)-C
Wire isolation	TPM (bk num, gnye)
C-track properties	0.1 Mio.
Jacket Color	orange
Material (jacket)	PVC (UL/CSA) (=MC500)
Outer Ø	12.0 mm ±5%
Bend radius (moving)	10× outer Ø
Temperature range (fixed)	-20...+80 °C
Temperature range (mobile)	-20...+60 °C
Specification	6FX5008-1BA21
Cable identification	863
Approval (cable)	UL (AWM-Style 2570/10492), CSA
Material (wire)	Cu wire, bare
Resistor (core)	max. 13.3 Ω/km (20 °C)
Single wire Ø (core)	0.25 mm

Diameter (core)	(4G2.5 + (2× 1.5)C)-C
Material (wire isolation)	PP
Wire-Ø incl. isolation	2.4 ±5% (1.5 mm ²); 3.0 ±5% (2.5 mm ²)
Color/numbering of wires	bk, wh (1.5 mm ²); bk, gnye longitudinally striped (2.5 mm ²)
Shield	yes
	min. 85%
Material (jacket)	PVC
Outer-Ø (jacket)	12.0 mm ±5%
Color (jacket)	orange
thermal resistance	flame retardant UL 1581 VW1 / CSA FT1
Temperature range (fixed)	-20...+80 °C
Temperature range (mobile)	-20...+60 °C
Bend radius (fixed)	5× outer Ø
Torsion stress	±30 °/m

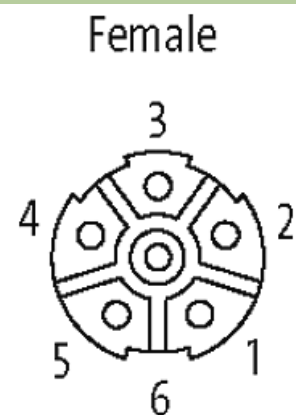
Technical Data

Operating voltage	600 V AC/DC (PIN 1/2/3/6); 250 V AC/DC (PIN 4/5)
Rated surge voltage	4 kV (PIN 1/2/3/6); 2 kV (PIN 4/5)
Operating current per contact	Power cores: 12 A (1.5 mm ²), 15 A (2.5 mm ²); brake cores: 5 A (1.5 mm ²)
Material group	IEC 60664-1, category I
Locking of ports	Screw thread (M23×1 mm) recommended torque 2.0 Nm, self-securing
Compression gland	M23 (SW27)
Protection	IP65 and IP67 when plugged and screwed down (EN 60529)
Locking material	Brass, nickel plated
Material	PUR
suitable for corrugated tube (internal Ø)	16 mm

Commercial data

country of origin	DE
customs tariff number	85444290
EAN	4048879507370
eClass	27279218
Packaging unit	1

Sketch



Product may differ from Image